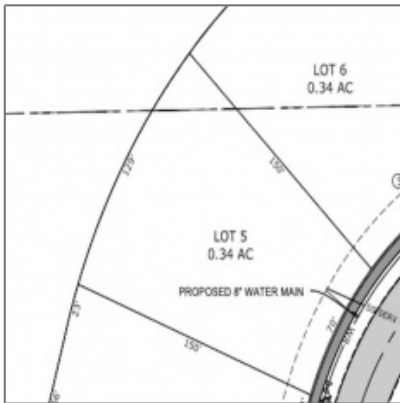




# Lots/land For Sale

0 Sqft - Lot 5 Kona Cir, Coralville, Iowa 52241



## Description

Exceptional and highly desired single family home lot located on the West side of Iowa City and Coralville off Camp Cardinal Blvd. Large lot perfect for building your own home! \*This lot is not for individual sale but rather will be included in a "Custom Built Home Package" with Navigate Homes. The lot is being marketed so that potential Buyers are aware of additional options for construction.\*

## Property Description

Exceptional and highly desired single family home lot located on the West side of Iowa City and Coralville off Camp Cardinal Blvd. Large lot perfect for building your own home! \*This lot is not for individual sale but rather will be included in a "Custom Built Home Package" with Navigate Homes. The lot is being marketed so that potential Buyers are aware of additional options for construction.\*

## Basic Details

Property Type:	<b>Lots/land</b>
Listing Type:	<b>For Sale</b>
Listing ID:	<b>202203321</b>
Price:	<b>\$185,000</b>
Beds:	<b>0</b>

Baths:	<b>0</b>
Half Bathrooms:	<b>0</b>
Square Feet:	<b>0 Sqft</b>
Construction Year:	<b>0</b>
Lot Size:	<b>0.34 Sqft</b>
Country:	<b>US</b>
State:	<b>IA</b>
County:	<b>Johnson</b>
City:	<b>Coralville</b>
Zipcode:	<b>52241</b>
Status Category:	<b>Active</b>
Area:	<b>Coralville</b>
Subdivision:	<b>Cardinal Pointe West</b>

## Features

✓	Amenities:	<b>Street Lights, Close To School, Underground</b>
	Internet:	<b>Yes</b>
✓	Possible Finance:	<b>Cash, Conventional</b>
✓	Showing Instructions:	<b>Under Construction</b>

## Address [Map](#)

Street:	<b>Lot 5 Kona Cir</b>
Floor Number:	<b>0</b>
Longitude:	<b>W92° 23' 26.1"</b>
Latitude:	<b>N41° 40' 15.6"</b>

## More [Information](#)

Office Name:	<b>Urban Acres Real Estate Corridor</b>
Sales Term:	<b>Conventional</b>
Update Date:	<b>08-23-2022 19:12:31</b>
Elementary School:	<b>Borlaug</b>

Jr./Middle School:	<b>Northwest</b>
High School:	<b>West</b>
Directions:	<b>Camp Cardinal Blvd, West on Kennedy Parkway, Right on to Kona Cir</b>
Zoning:	<b>Residential</b>
Lot Dimensions:	<b>Regular</b>
LA1Agent Logon Name:	<b>I628</b>
LA1Agent First Name:	<b>Mike</b>
LA1Agent Last Name:	<b>Bails</b>
LO1Main Office ID:	<b>429</b>
PriceChangeTimestamp:	<b>06-04-2022</b>

### Agent Information



- **Mike Bails**
- 319.321.5500
- mikebails@urbanacres.com

### Additional Details

Amenities: Street Lights, Close To School, Underground  
Possible Finance: Cash, Conventional  
Showing Instructions: Under Construction  
Listing Date: 06/04/2022  
Directions: Camp Cardinal Blvd, West On Kennedy Parkway, Right On To Kona Cir  
Lot Dimensions: Regular